

**2.0W Audio Power Amplifier
 With Headphone Sense**

CE0032A Series

■ **INTRODUCTION**

The CE0032A is ideal for portable audio application which normally require internal speaker. It is capable of delivering 1.6 watt of continuous average power to a 4Ω BTL load with less than 1% distortion (THD+N) from a 5V power system.

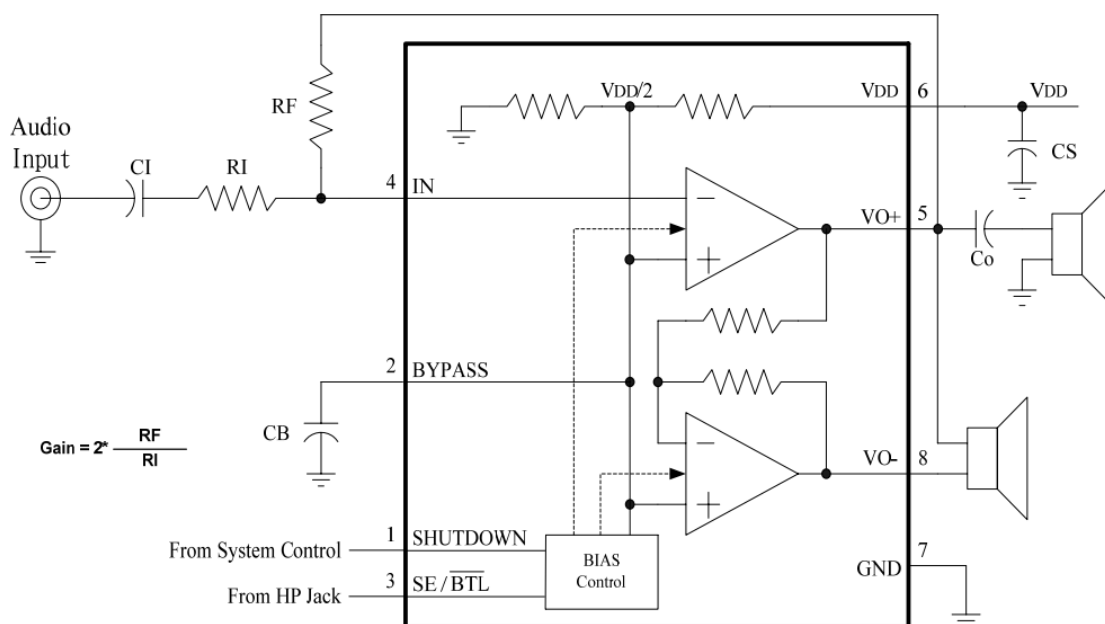
■ **FEATURES**

- Wide operation Range 2.0~6.8V
- BTL or SE modes
- Low Distortion :THD+N=0.15%(Typ.)
(For VDD=5.0V,RL=4.0 Ω ,Pout=0.63W)
- Low Distortion :THD+N=1%(Typ.)
(For VDD=5.0V,RL=4.0 Ω ,Pout=1.6W)
- Low Shutdown Current:1.0uA
- Minimize the turn-on and turn-off pop noise
- Thermal Shutdown Protection
- Over Current Protection
- External gain configuration capability
- Unity-gain stable

■ **APPLICATIONS**

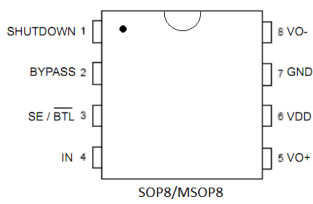
- Toys
- Desk mini sound panel
- Portable audio devices

■ **BLOCK DIAGRAMS**



■ PIN CONFIGURATION

CE0032A Series (SOP8/MSOP8)



PIN NO.		FUNCTION
1	SHUTDOWN	Shutdown mode control signal input. Active High.
2	BYPASS	BYPASS is internal mid-supply bias
3	SE/BTL	Low :BTL mode High:SE mode
4	IN	Audio input
5	VO+	Output +(for BTL & SE mode)
6	VDD	Power VDD
7	GND	Power Ground
8	VO-	VO-(only for BTL mode)

■ ABSOLUTE MAXIMUM RATINGS

(Ta=25°C, unless otherwise specified)

PARAMETER		SYMBOL	RATINGS	UNITS
Power supply voltage		V_{DD}	$V_{SS}-0.3 \sim V_{SS}+8$	V
Output voltage		V_{OUT}	$V_{SS}-0.3 \sim V_{SS}+8$	V
Power dissipation	MSOP8	PD	500	mW
	SOP8		500	mW
Operating ambient temperature		T_{opr}	-40 ~ +85	°C
Storage temperature		T_{stg}	-40 ~ +125	°C
Soldering Temperature & Time		T_{solder}	260°C, 10s	

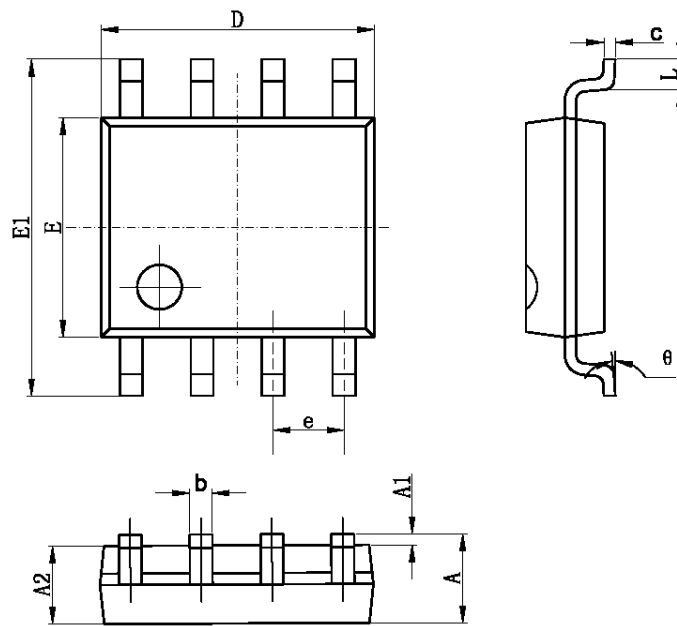
■ ELECTRICAL CHARACTERISTICS

(Ta=25°C, unless otherwise specified)

PARAMETER	SYMBOL	CONDITIONS	MIN	TYP	MAX	UNITS
Operation Voltage	VDD		2.0		6.8	V
Shutdown Current	I _{off}	SHUTDOWN=VDD			1.0	uA
Operating Current	I _{ss}	VDD=5V,SHUTDOWN=GND,No Load		3.0		mA
BYPASS Voltage	VBYPASS	VDD=5V,SHUTDOWN=VDD		VDD/2		V
Total Harmonic Distortion + Noise	THD+N	VDD=5.0V,RL=4Ω ,POUT=0.63W		0.15		%
		VDD=5.0V,RL=8Ω ,POUT=0.63W		0.15		%
Output Power	P _o	VDD=5.0V,THD+N=1%,f=1KHz& RL=4Ω		1600		mW
		VDD=5.0V,THD+N=1%,f=1KHz& RL=8Ω		1150		mW
Output Offset Voltage	VOS	VIN=0V		12		mV
Power Rejection Ratio	PSRR	f=1KHz		70		dB
Enable Time	TON	VDD=5V,SE=GND,CB=1uF		70		mS
		VDD=5V,SE=VDD,CB=1uF		250		mS
Shutdown Time	TOFF	VDD=5V,SE=GND,CB=1uF		70		mS
		VDD=5V,SE=VDD,CB=1uF		250		mS
Current Limitation	ILMT	VDD=5V,CI=0.47uF,CB=1.0uF		850		mA

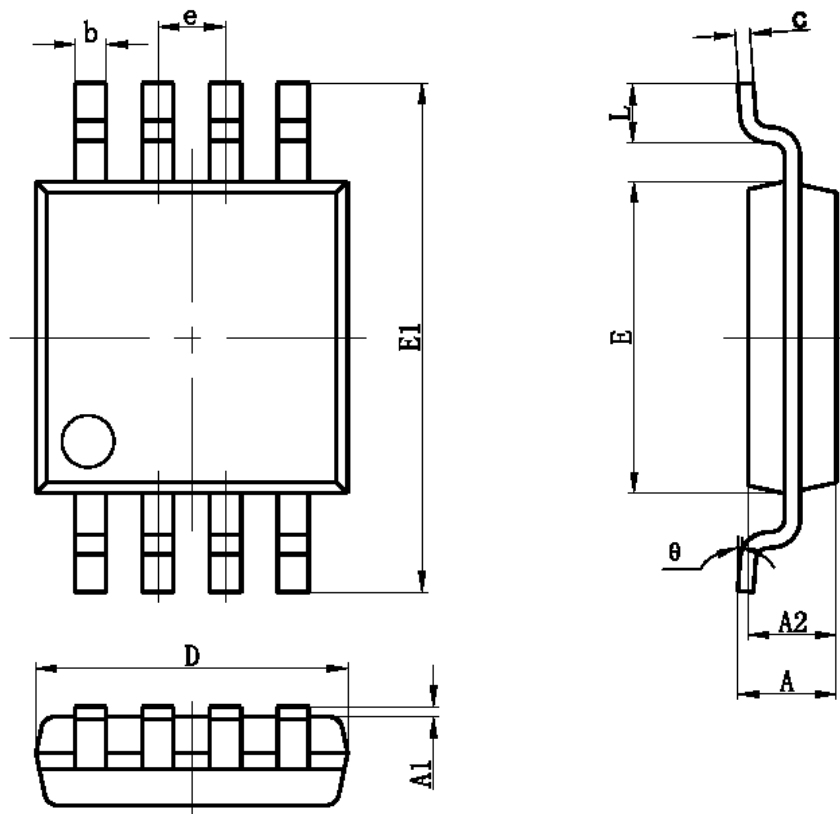
■ Package information

- SOP8



Symbol	Dimensions In Millimeters		Dimensions In Inches	
	Min	Max	Min	Max
A	1.350	1.750	0.053	0.069
A1	0.100	0.250	0.004	0.010
A2	1.350	1.550	0.053	0.061
b	0.330	0.510	0.013	0.020
c	0.170	0.250	0.006	0.010
D	4.700	5.100	0.185	0.200
E	3.800	4.000	0.150	0.157
E1	5.800	6.200	0.228	0.244
e	1.270 (BSC)		0.050 (BSC)	
L	0.400	1.270	0.016	0.050
θ	0°	8°	0°	8°

● MSOP8 PACKAGE OUTLINE DIMENSIONS



Symbol	Dimensions In Millimeters		Dimensions In Inches	
	Min	Max	Min	Max
A	0.820	1.100	0.032	0.043
A1	0.020	0.150	0.001	0.006
A2	0.750	0.950	0.030	0.037
b	0.250	0.380	0.010	0.015
c	0.090	0.230	0.004	0.009
D	2.900	3.100	0.114	0.122
e	0.650(BSC)		0.026(BSC)	
E	2.900	3.100	0.114	0.122
E1	4.750	5.050	0.187	0.199
L	0.400	0.800	0.016	0.031
θ	0°	6°	0°	6°

© Nanjing Chipower Electronics Inc.

Chipower cannot assume responsibility for use of any circuitry other than circuitry entirely embodied in a Chipower product. No circuit patent license, copyrights or other intellectual property rights are implied. Chipower reserves the right to make changes to their products or specifications without notice. Customers are advised to obtain the latest version of relevant information to verify, before placing orders, that information being relied on is current and complete.