



# SS62FP Series 500mA Low Power LDO

## Features

- Low voltage drop: 0.26V@100mA
- High input voltage: 12V
- Low temperature coefficient
- Large Output Current: >0.35A
- Low Quiescent Current: 1.5uA
- Output voltage accuracy: tolerance  $\pm 2\%$
- Built-in current limiter
- SOT89 and SOT23-3 package

## Applications

- Battery-powered equipment
- Hand-Hold Equipment
- GRS Receivers
- Wireless LAN

## General Description

The SS62FP series is a group of positive voltage output, three-pin regulators, that provide a high current even when the input/output voltage differential is small. Low power consumption and high accuracy is achieved through CMOS and laser trimming technologies.

The SS62FP consists of a high-precision voltage reference, an error amplification circuit, and a current limited output driver. Transient response to load variations have improved in comparison to the existing series. SOT89 and SOT23-3 packages are available.

## Selection Table

Part No.	Output Voltage	Package	Marking
SS62FP25xx	2.5V	SOT89 SOT23	
SS62FP30xx	3.0V		
SS62FP33xx	3.3V		
SS62FP40xx	4.0V		
SS62FP50xx	5.0V		

## Order Information

SS62FP①②③④

Designator	Symbol	Description
① ②	Integer	Output Voltage(2.1~5.0V)
③	P	Package:SOT89
	M	Package:SOT23-3
④	R	RoHS / Pb Free
	G	Halogen Free

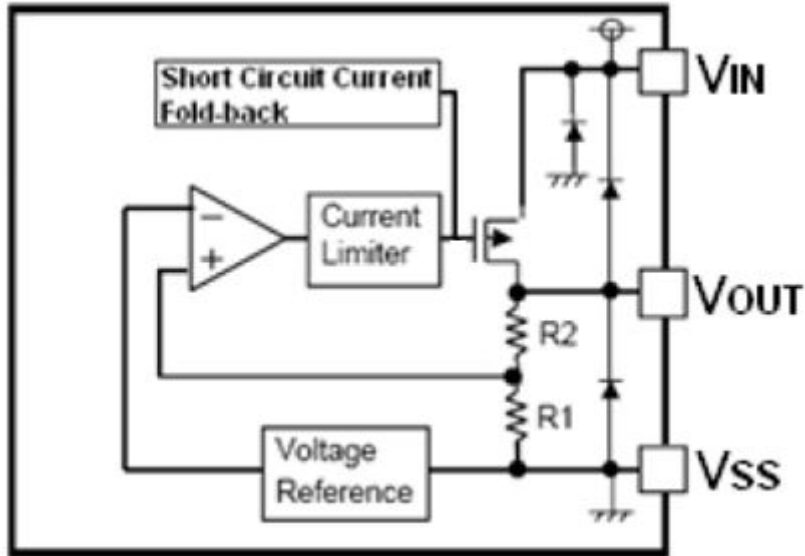
Note: "①②" stands for output voltages. Other voltages can be specially customized

# SS62FP Series

## 500mA Low Power LDO

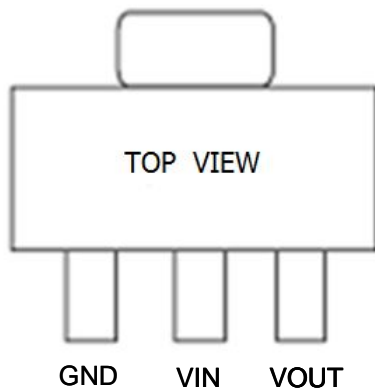
---

### Block Diagram

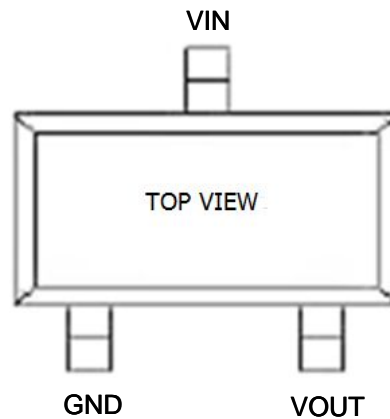


### Pin Assignment

**SOT89**



**SOT23-3**



### Absolute Maximum Ratings

Supply Voltage .....	-0.3V to 15V	Storage Temperature .....	-40°C to 125°C
Operating Temperature .....	-40°C to 85°C		

Note: These are stress ratings only. Stresses exceeding the range specified under “Absolute Maximum Ratings” may cause substantial damage to the device. Functional operation of this device at other conditions beyond those listed in the specification is not implied and prolonged exposure to extreme conditions may affect reliability.

# SS62FP Series

## 500mA Low Power LDO

### Electrical Characteristics

SS62FP for any output voltage

(Ta=25°C)

Parameter	Symbol	Conditions	Min.	Typ.	Max.	Unit
Output Voltage	Vout	Vin=Vout+1V 1.0mA≤Iout≤30mA	Vout×0.98	--	Vout×1.02	V
Output Current*1	Iout	Vin-Vout=1.5V	--	500	--	mA
Low dropout*2	Vdrop	Refer to the next table				
Line Regulation	$\frac{\Delta V_{OUT}}{\Delta V_{IN} \times V_{OUT}}$	1.6V≤Vin≤8V Iout=100mA	--	0.05	0.2	%/V
Load Regulation	△Vout	Vin= Vout+1V 1.0mA≤Iout≤100mA	--	12	30	mV
Output voltage Temperature Coefficiency	$\frac{\Delta V_{OUT}}{\Delta Ta}$	Iout=30mA 0°C≤Ta≤70°C	--	±100	--	Ppm/°C
PSRR	PSRR	F=1KHz Vin=Vout+1V	--	40	--	dB
Supply Current	Iss1	--	--	1.5	3	uA
Input Voltage	Vin	--	--	--	12	V

### Electrical Characteristics by Output Voltage:

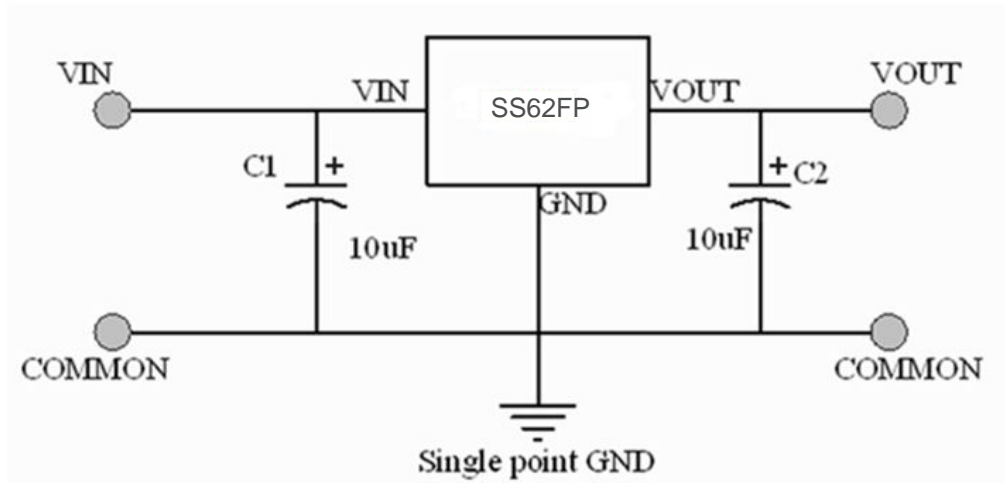
Output Voltage Vout(V)	Dropout Voltage Vdif (V)		
	Conditions	Typ.	Max.
Vout ≤ 2.0V	Iout=60 mA	0.15	0.17
2.0 < Vout ≤ 3.0	Iout=80 mA	0.22	0.24
3.0 < Vout ≤ 4.0	Iout=100 mA	0.26	0.28
4.0 < Vout ≤ 5.0		0.27	0.28
3.0 < Vout ≤ 4.0	Iout=200 mA	0.5	0.54
4.0 < Vout ≤ 6.0		0.5	0.52
3.0 < Vout ≤ 4.0	Iout=350 mA	0.9	1.00
4.0 < Vout ≤ 6.0		0.82	0.96

# SS62FP Series

## 500mA Low Power LDO

---

### Typical Application



Note1: Input capacitor  $C_{IN}=10\mu\text{F}$ .

Note2: Output capacitor  $C_{OUT}=10\mu\text{F}$

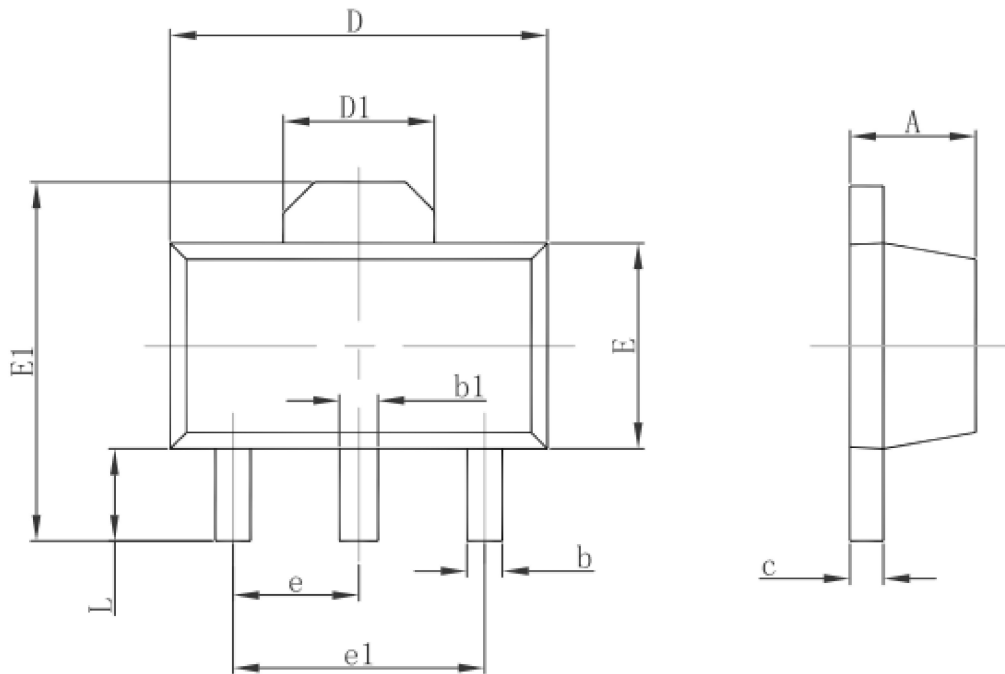
# SS62FP Series

## 500mA Low Power LDO

---

### Package Information

#### 3-pin SOT89 Outline Dimensions

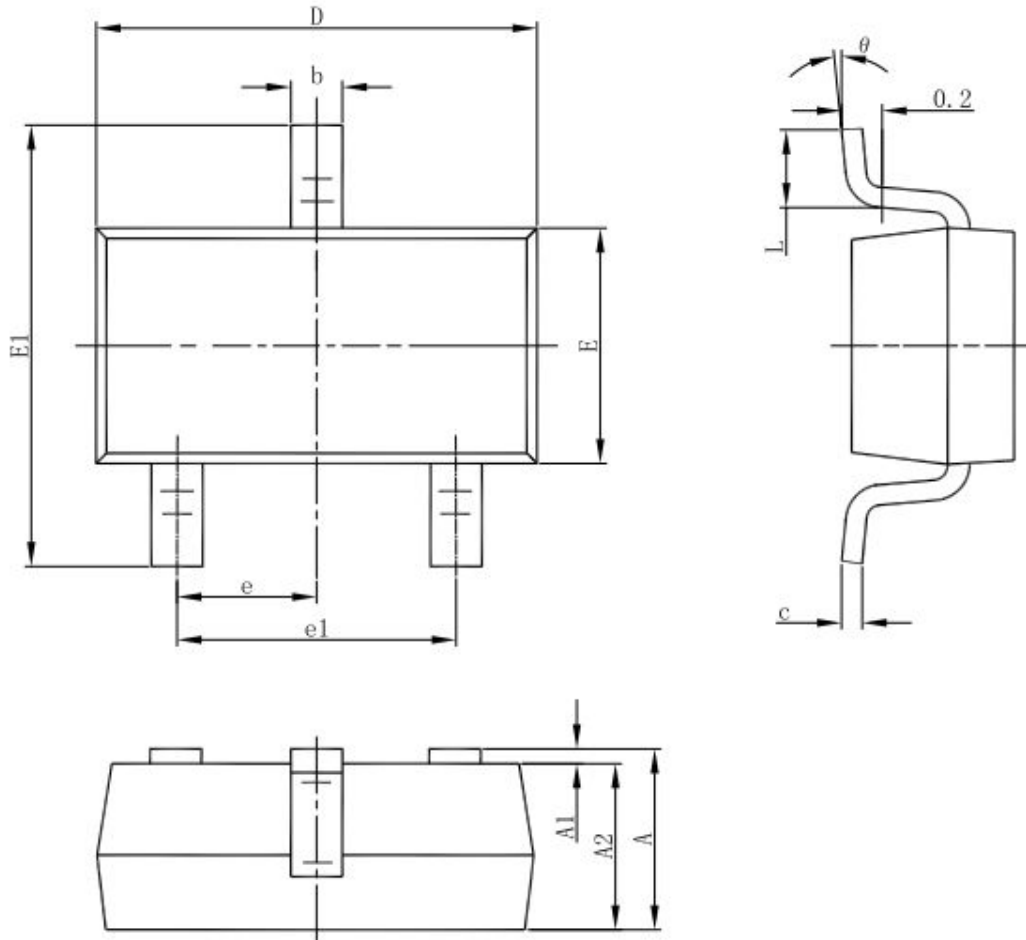


Symbol	Dimensions In Millimeters		Dimensions In Inches	
	Min.	Max.	Min.	Max.
A	1.400	1.600	0.055	0.063
b	0.320	0.520	0.013	0.020
b1	0.400	0.580	0.016	0.023
c	0.350	0.440	0.014	0.017
D	4.400	4.600	0.173	0.181
D1	1.550 REF.		0.061 REF.	
E	2.300	2.600	0.091	0.102
E1	3.940	4.250	0.155	0.167
e	1.500 TYP.		0.060 TYP.	
e1	3.000 TYP.		0.118 TYP.	
L	0.900	1.200	0.035	0.047

# SS62FP Series

## 500mA Low Power LDO

### 3-pin SOT23-3 Outline Dimensions



Symbol	Dimensions In Millimeters		Dimensions In Inches	
	Min	Max	Min	Max
A	1.050	1.250	0.041	0.049
A1	0.000	0.100	0.000	0.004
A2	1.050	1.150	0.041	0.045
b	0.300	0.500	0.012	0.020
c	0.100	0.200	0.004	0.008
D	2.820	3.020	0.111	0.119
E	1.500	1.700	0.059	0.067
E1	2.650	2.950	0.104	0.116
e	0.950(BSC)		0.037(BSC)	
e1	1.800	2.000	0.071	0.079
L	0.300	0.600	0.012	0.024
theta	0°	8°	0°	8°